

Injected With Quality

Proven Performance Year After Year



Schaefer's injection molding process gives carts superior strength and durability, and injection molding is the only process which permits fine design detail, such as the in-molded frontal rim.

For semi-automated collection, Schaefer's GMT Carts have been used successfully with the comb lift system for over 25 years. And since it does not require a lift bar or other hardware, longer cart life is guaranteed. For fully-automated collection, Schaefer carts have demonstrated that they perform equally well with various grabber systems.

At Schaefer, every cart undergoes an elaborate series of tests for strength and durability, because it can't say Schaefer until it says quality.

SSI SCHAEFER
Systems International Inc.

P.O. Box 7009
Charlotte, NC 28241
Toll Free: (877) 724-2327
Fax: (704) 588-1862
www.ssi.schaefer-us.com



It Can't Say Schaefer Until It Says Quality

Schaefer GMT Cart

A Materials

- High density, 100% virgin polyethylene resin, UV-stabilized
- Temperature range -30° to +150° F
- Material withstands high mechanical stress while maintaining dimensional stability, even at low temperatures
- Easy to clean



Smooth sides for easy cleaning

B Body

- Stable, withstands 40 mph winds when empty
- Smooth interior and exterior for easy emptying and cleaning
- Slight conical shape
- 3/8" solid strip along the bottom (wear guard)
- In-molded frontal rim, reinforced with grid and strut supports
- Can be labeled or hot-stamped



Watertight construction

C Lid

- Watertight, snug-fitting lid overlaps the container rim
- Recycling lids available: paper slot and bottle/can slot
- Locking lids available
- Lids can be hot stamped with serial number or other information



One-piece handle and body construction

D Hinges and Handles

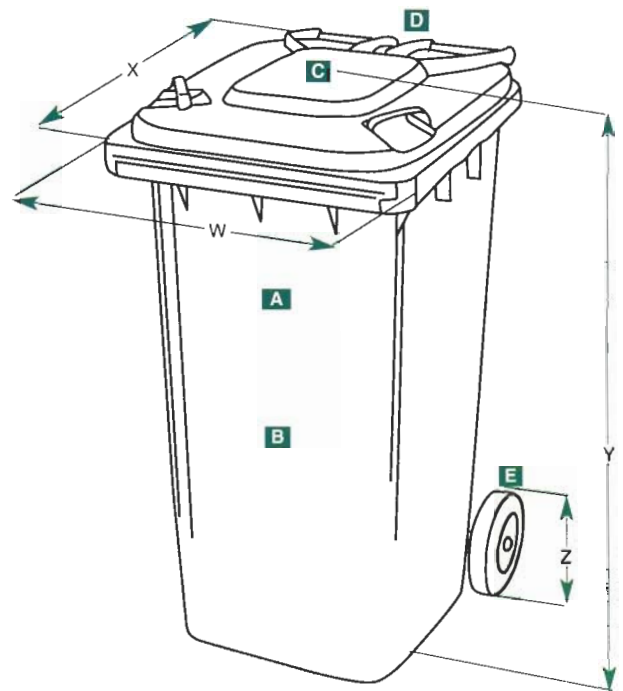
- Sturdy four point lid and hinge suspension system
- One-piece handle and body design

E Wheels and Axles

- All rubber tires, plastic (HDPE) hub and rim
- Solid steel axle, galvanized finish
- Wheels locked by sturdy pins
- Wheels: 8" diameter (12" on 96 gal.)
- Axle: 7/8" diameter



Rubber wheels on solid steel axles



Colors

- Available in charcoal grey, green, blue and brown
- UV-stabilized against the effects of weathering. Charcoal grey carts have carbon black added for additional UV protection.
- Smooth surface for hot stamping on lid and body

Model	32 gal.	38 gal.	64 gal.	96 gal.
Width (W)	19"	19"	23"	24"
Depth (X)	22"	22"	29"	35"
Height (Y)	37"	42"	42"	43"
Wheel Diameter (Z)	8"	8"	8"	12"
Weight	24 lbs.	29 lbs.	35 lbs.	51 lbs.



Bottle or can lid



Waste paper lid

SSI SCHAEFER
Systems International Inc.

10021 Westlake Drive
P.O. Box 7009
Charlotte, NC 28241
Toll Free: (877) 724-2327
Fax: (704) 588-1862
www.ssi.schaefer-us.com

140 Nuggett Court
Brampton, Ontario L6T 5H4
Phone: (905) 458-5399
Fax: (905) 458-7951